

20th INTERNATIONAL JUDO TOURNAMENT
ADRIATIC CUP - Split 2010
SPLIT, 26th - 27th June 2010.

| | RESULT | POINTS |
|--|--------|--------|
| Bjelica Saša (Borsa) : Martin Majer (JK Sparta Považska Bystrica) | 0 : 10 | 0 : 2 |
| Ivo Kovačević (Pujanke) : Ivan Maleš (Split) | 10 : 0 | 2 : 0 |
| Martin Majer (JK Sparta Považska Bystrica) : Ivan Maleš (Split) | 10 : 0 | 2 : 0 |
| Bjelica Saša (Borsa) : Ivo Kovačević (Pujanke) | 10 : 0 | 2 : 0 |
| Bjelica Saša (Borsa) : Ivan Maleš (Split) | 10 : 0 | 2 : 0 |
| Martin Majer (JK Sparta Považska Bystrica) : Ivo Kovačević (Pujanke) | 0 : 10 | 0 : 2 |

| Name and surname | Team | Result | Point |
|------------------|-----------------------------|--------|-------|
| 1. Martin Majer | JK Sparta Považska Bystrica | 20 | 4 |
| 2. Kovačević Ivo | Pujanke | 20 | 4 |
| 3. Bjelica Saša | Borsa | 20 | 4 |
| 3. Ivan Maleš | Split | 0 | 0 |

ADRIATIC CUP - Split 2010

SPLIT, 26th - 27th June 2010.

| | RESULT | | POINTS | |
|--|--------|------|--------|-----|
| Jusuf Nurković ("IBAR" Rožaje) : Maroš Jagrik (JK Sparta Považska Bystrica) | 10 | : 0 | 2 | : 0 |
| Martin Lhotsky (JK Sparta Považska Bystrica) : Damir Omrčen (Dalmacijacement) | 0 | : 10 | 0 | : 2 |
| free : Vedran Marić (Borsa) | | | | |
| Jusuf Nurković ("IBAR" Rožaje) : Vedran Marić (Borsa) | 10 | : 0 | 2 | : 0 |
| Maroš Jagrik (JK Sparta Považska Bystrica) : Damir Omrčen (Dalmacijacement) | 0 | : 10 | 0 | : 2 |
| free : Martin Lhotsky (JK Sparta Považska Bystric) | | | | |
| Martin Lhotsky (JK Sparta Považska Bystrica) : Vedran Marić (Borsa) | 10 | : 0 | 2 | : 0 |
| Jusuf Nurković ("IBAR" Rožaje) : Damir Omrčen (Dalmacijacement) | 10 | : 0 | 2 | : 0 |
| free : Maroš Jagrik (JK Sparta Považska Bystrica) | | | | |
| Maroš Jagrik (JK Sparta Považska Bystrica) : Vedran Marić (Borsa) | 0 | : 10 | 0 | : 2 |
| Jusuf Nurković ("IBAR" Rožaje) : Martin Lhotsky (JK Sparta Považska Bystric) | 10 | : 0 | 2 | : 0 |
| free : Damir Omrčen (Dalmacijacement) | | | | |
| Damir Omrčen (Dalmacijacement) : Vedran Marić (Borsa) | 10 | : 0 | 2 | : 0 |
| Maroš Jagrik (JK Sparta Považska Bystrica) : Martin Lhotsky (JK Sparta Považska Bystric) | 0 | : 10 | 0 | : 2 |
| free : Jusuf Nurković ("IBAR" Rožaje) | | | | |

| Name and surname | Team | Result | Point |
|-------------------|-----------------------------|--------|-------|
| 1. Jusuf Nurković | "IBAR" Rožaje | 40 | 8 |
| 2. Damir Omrčen | Dalmacijacement | 30 | 6 |
| 3. Martin Lhotsky | JK Sparta Považska Bystrica | 20 | 4 |
| 3. Vedran Marić | Borsa | 10 | 2 |
| 5. Maroš Jagrik | JK Sparta Považska Bystrica | 0 | 0 |

ADRIATIC CUP - Split 2010

SPLIT, 26th - 27th June 2010.

GROUP A

| | | | |
|------------------|-----------------------|-----------------------|----|
| STJEPAN OMAZIĆ | Vitez | STJEPAN OMAZIĆ | 1 |
| MARKO NEVJESTIĆ | FTM Novi Travnik | Vitez | 1 |
| BRANIMIR MARIĆ | Borsa | BRANIMIR MARIĆ | 9 |
| | | Borsa | 9 |
| VIKTOR CSOKA | Slavia Stu Bratislava | VIKTOR CSOKA | 5 |
| | | Slavia Stu Bratislava | 5 |
| GABRIJEL GRABNER | Biokovo Makarska | GABRIJEL GRABNER | 13 |
| | | Biokovo Makarska | 13 |

GROUP B

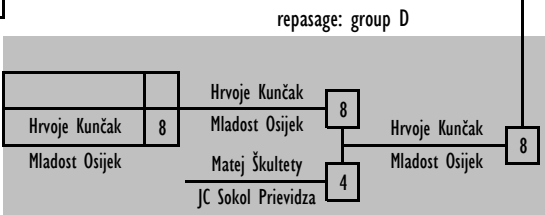
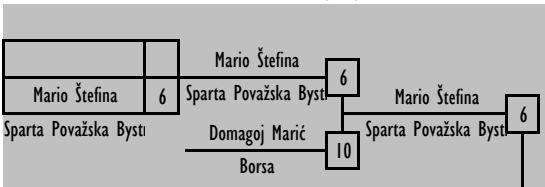
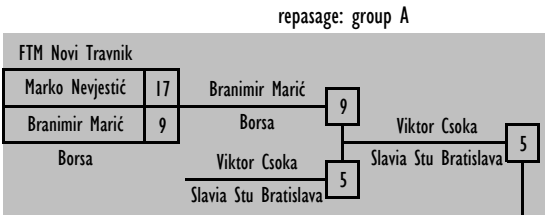
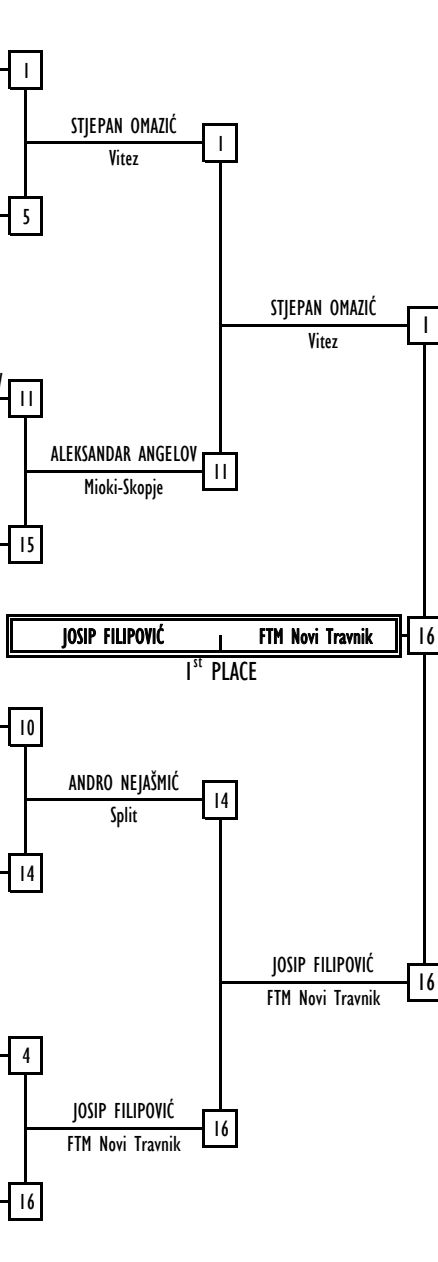
| | | | |
|--------------------|-----------------------------|--------------------------|----|
| LUKAŠ MIŽAK | Zemlin Michalovce | LUKAŠ MIŽAK | 3 |
| | | Zemlin Michalovce | 3 |
| ALEKSANDAR ANGELOV | Mioki-Skopje | ALEKSANDAR ANGELOV | 11 |
| | | Mioki-Skopje | 11 |
| KRIŠTOF MAKAY | JK Sparta Považska Bystrica | KRIŠTOF MAKAY | 7 |
| | | Sparta Považska Bystrica | 7 |
| ANTE GAZIBARIĆ | FTM Novi Travnik | ANTE GAZIBARIĆ | 15 |
| | | FTM Novi Travnik | 15 |

GROUP C

| | | | |
|-----------------|-----------------------------|--------------------------|----|
| ROBERT HANKO | Zemlin Michalovce | ROBERT HANKO | 2 |
| | | Zemlin Michalovce | 2 |
| BENJAMIN VALJAN | FTM Novi Travnik | DOMAGOJ MARIĆ | 10 |
| | | Borsa | 10 |
| DOMAGOJ MARIĆ | Borsa | DOMAGOJ MARIĆ | 10 |
| | | Borsa | 10 |
| MARIO ŠTEFINA | JK Sparta Považska Bystrica | MARIO ŠTEFINA | 6 |
| | | Sparta Považska Bystrica | 6 |
| ANDRO NEJAŠMIĆ | Split | ANDRO NEJAŠMIĆ | 14 |
| | | Split | 14 |

GROUP D

| | | | |
|-----------------|--------------------|--------------------|----|
| MATEJ ŠKULTETY | JC Sokol Prievidza | MATEJ ŠKULTETY | 4 |
| | | JC Sokol Prievidza | 4 |
| NINO NUHJI | Biokovo Makarska | Nino Nuhji | 12 |
| | | Biokovo Makarska | 12 |
| HRVOJE KUNČAK | Mladost Osijek | HRVOJE KUNČAK | 8 |
| | | Mladost Osijek | 8 |
| JOSIP FILIPOVIĆ | FTM Novi Travnik | Josip Filipović | 16 |
| | | FTM Novi Travnik | 16 |



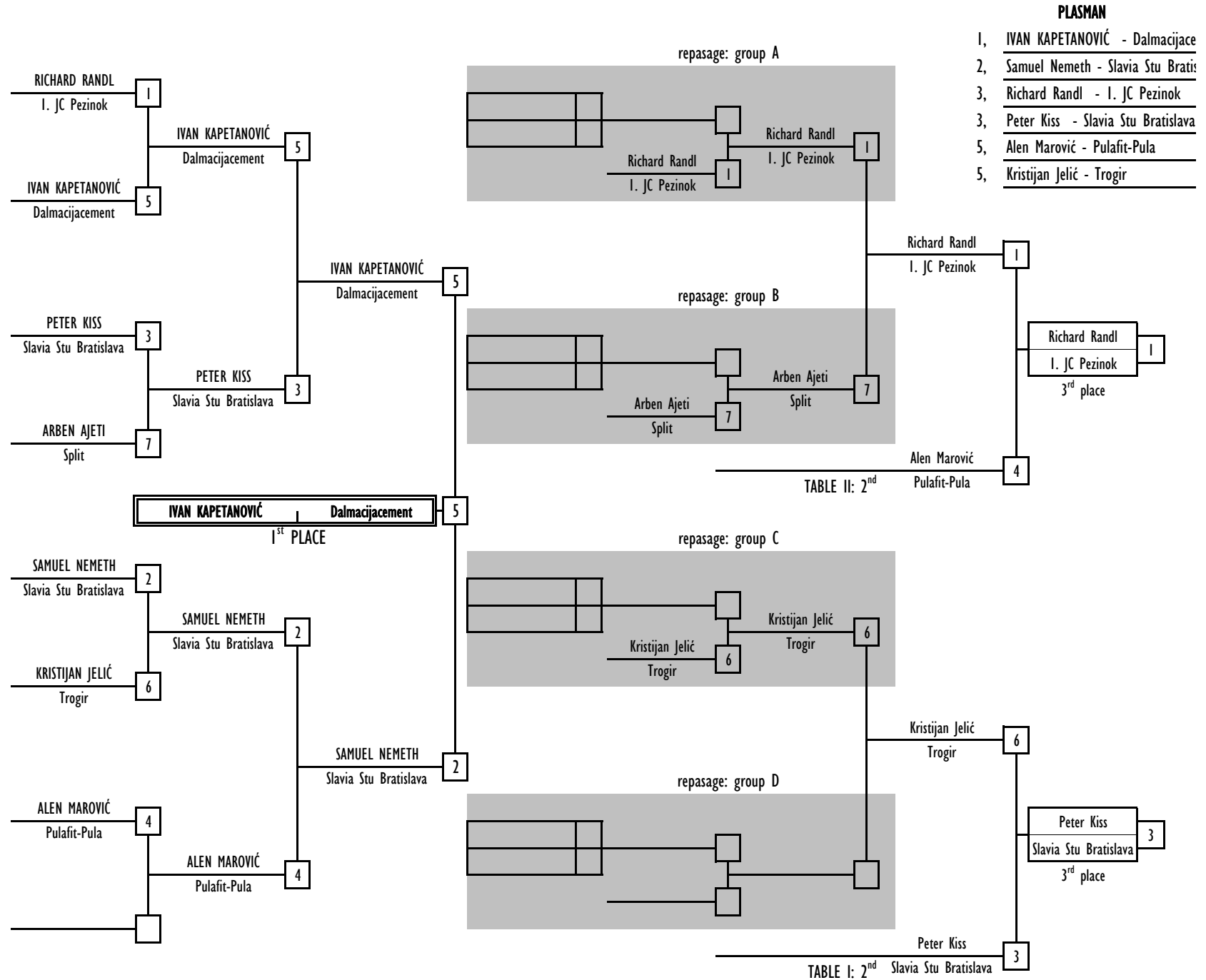
PLASMAN

- JOSIP FILIPOVIĆ - FTM Novi Travnik
- Stjepan Omazić - Vitez
- Andro Nejašmić - Split
- Hrvoje Kunčak - Mladost Osijek
- Lukaš Mižak - Zemlin Michalovce
- Aleksandar Angelov - Mioki-Skopje

TABLE II: 2nd

TABLE I: 2nd

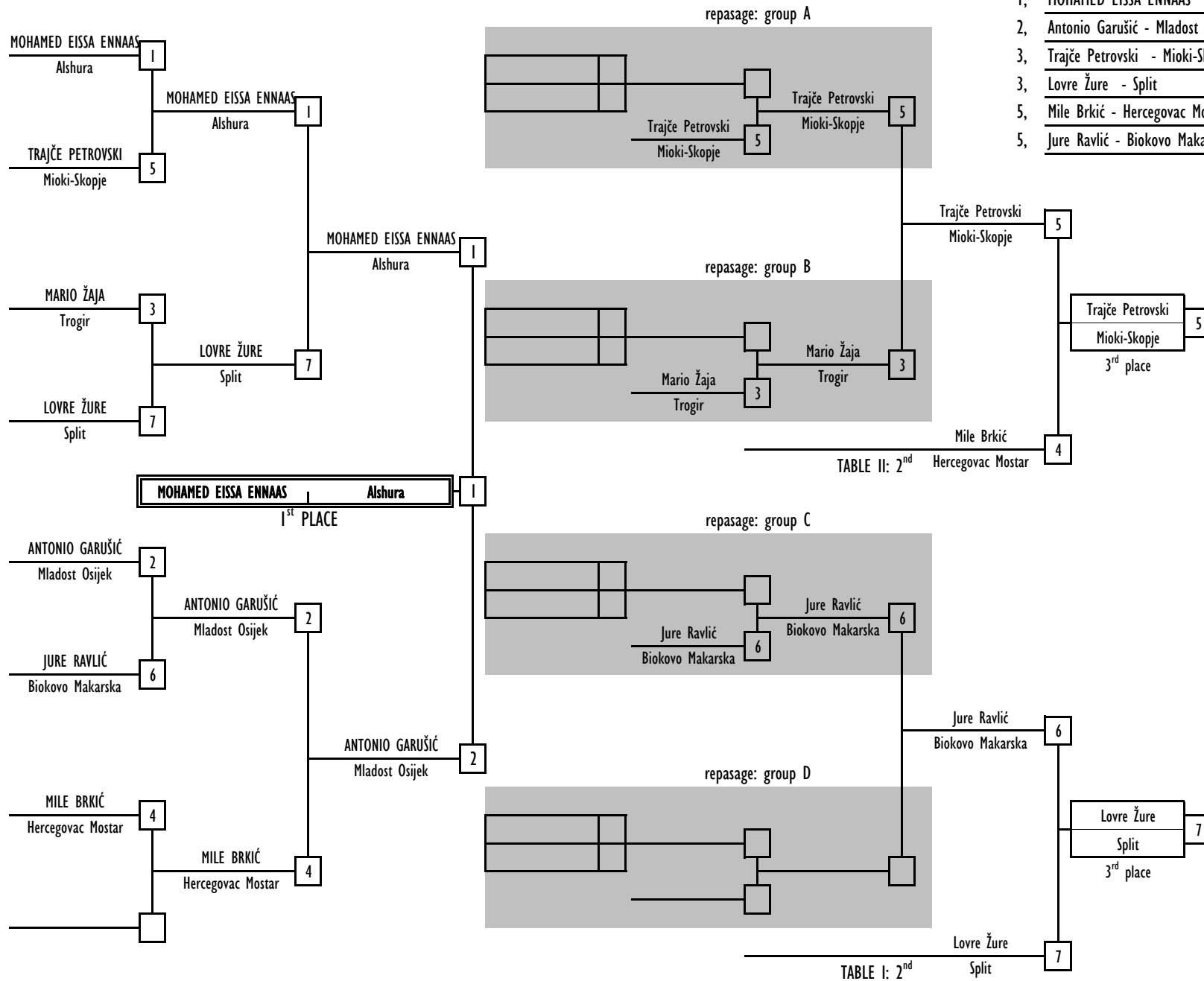
20th INTERNATIONAL JUDO TOURNAMENT
ADRIATIC CUP - Split 2010
SPLIT, 26th - 27th June 2010.



20th INTERNATIONAL JUDO TOURNAMENT
ADRIATIC CUP - Split 2010
SPLIT, 26th - 27th June 2010.

PLASMAN

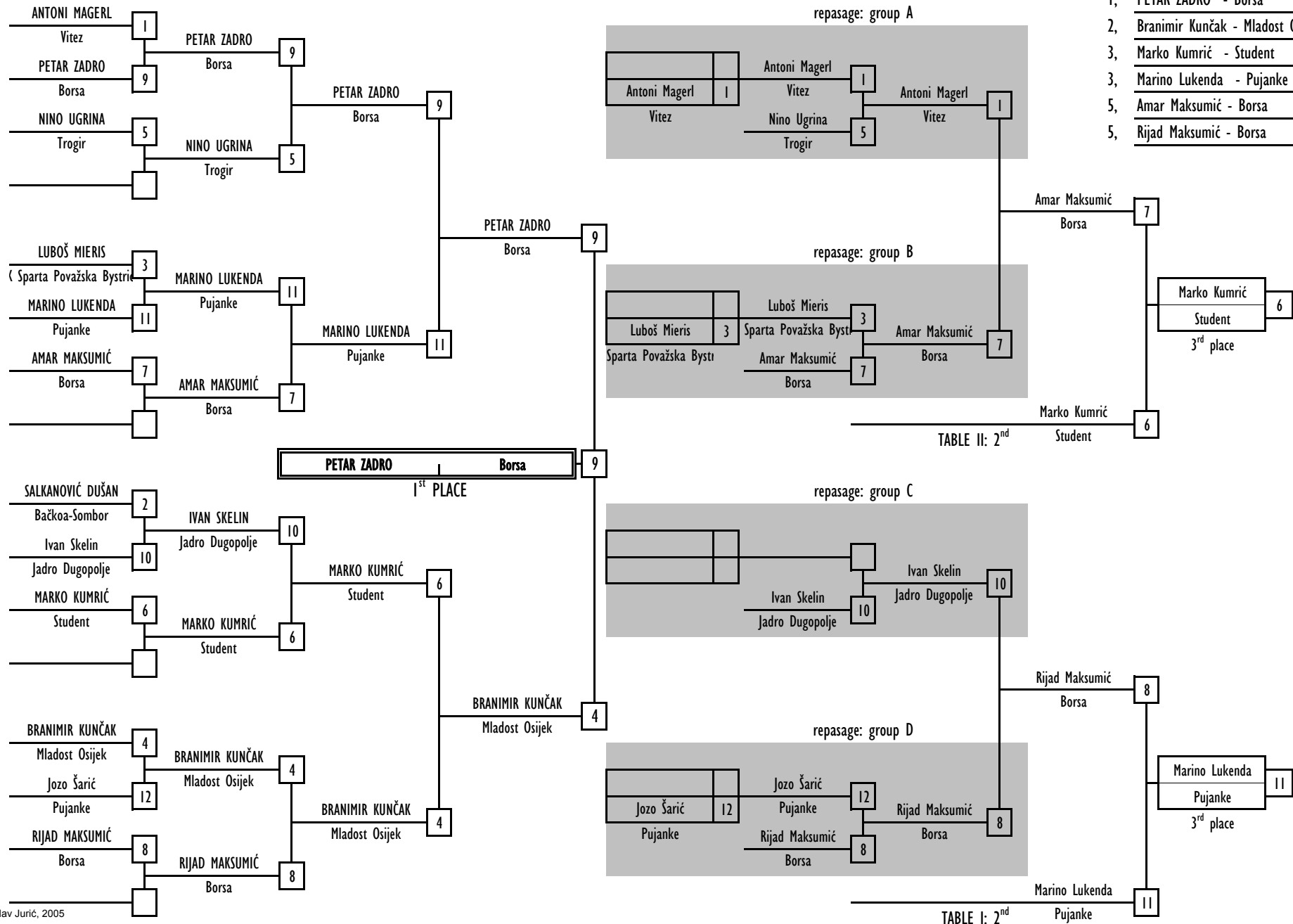
- 1, MOHAMED EISSA ENNAAS - Alshura
- 2, Antonio Garušić - Mladost Osijek
- 3, Trajče Petrovski - Mioki-Skopje
- 3, Lovre Žure - Split
- 5, Mile Brkić - Hercegovac Mostar
- 5, Jure Ravlić - Biokovo Makarska



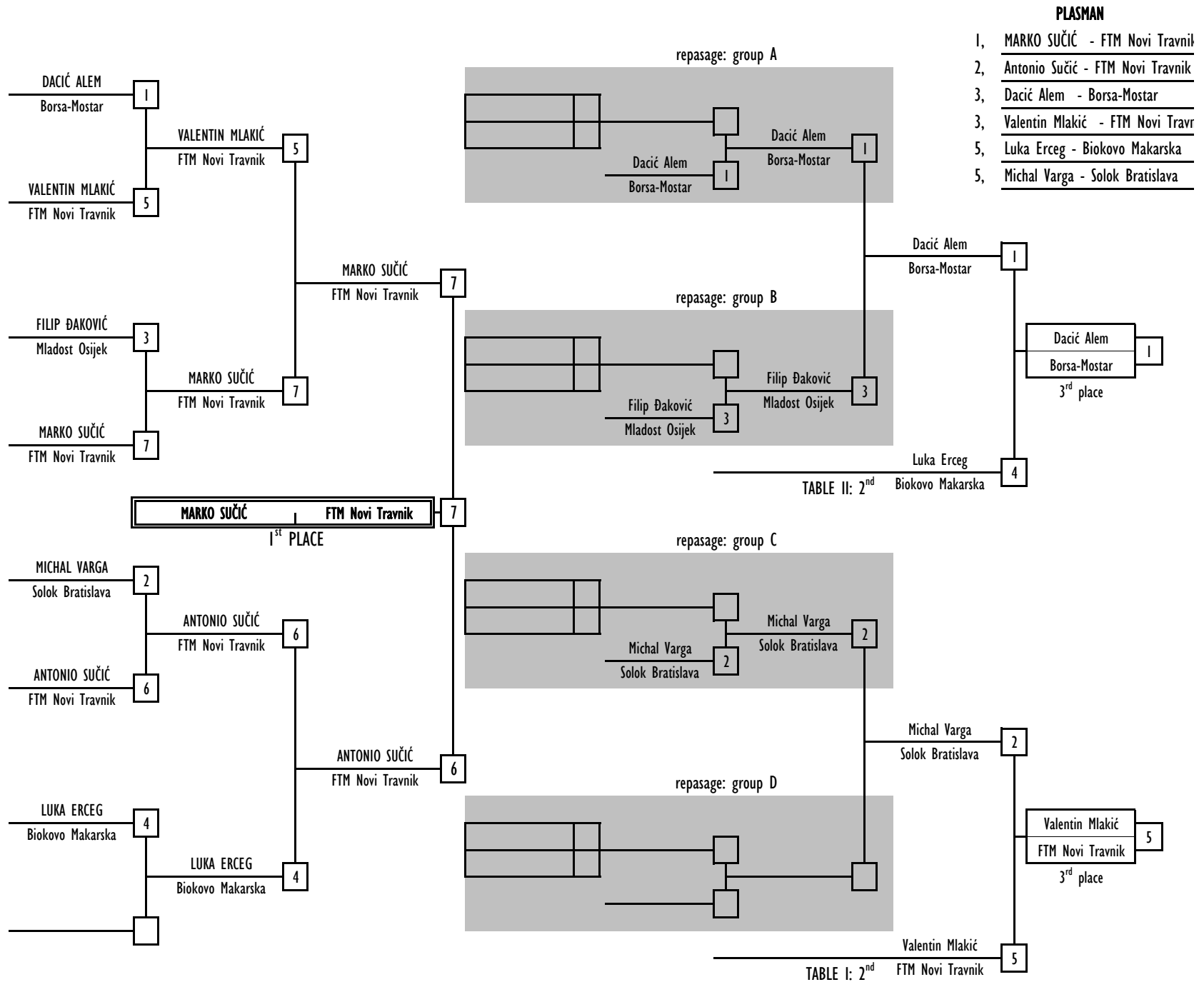
20th INTERNATIONAL JUDO TOURNAMENT
ADRIATIC CUP - Split 2010
SPLIT, 26th - 27th June 2010.

PLASMAN

- 1, PETAR ZADRO - Borsa
- 2, Branimir Kunčak - Mladost Osijek
- 3, Marko Kumrić - Student
- 3, Marino Lukenda - Pujanke
- 5, Amar Maksumić - Borsa
- 5, Rijad Maksumić - Borsa



20th INTERNATIONAL JUDO TOURNAMENT
ADRIATIC CUP - Split 2010
SPLIT, 26th - 27th June 2010.



20th INTERNATIONAL JUDO TOURNAMENT
ADRIATIC CUP - Split 2010
SPLIT, 26th - 27th June 2010.

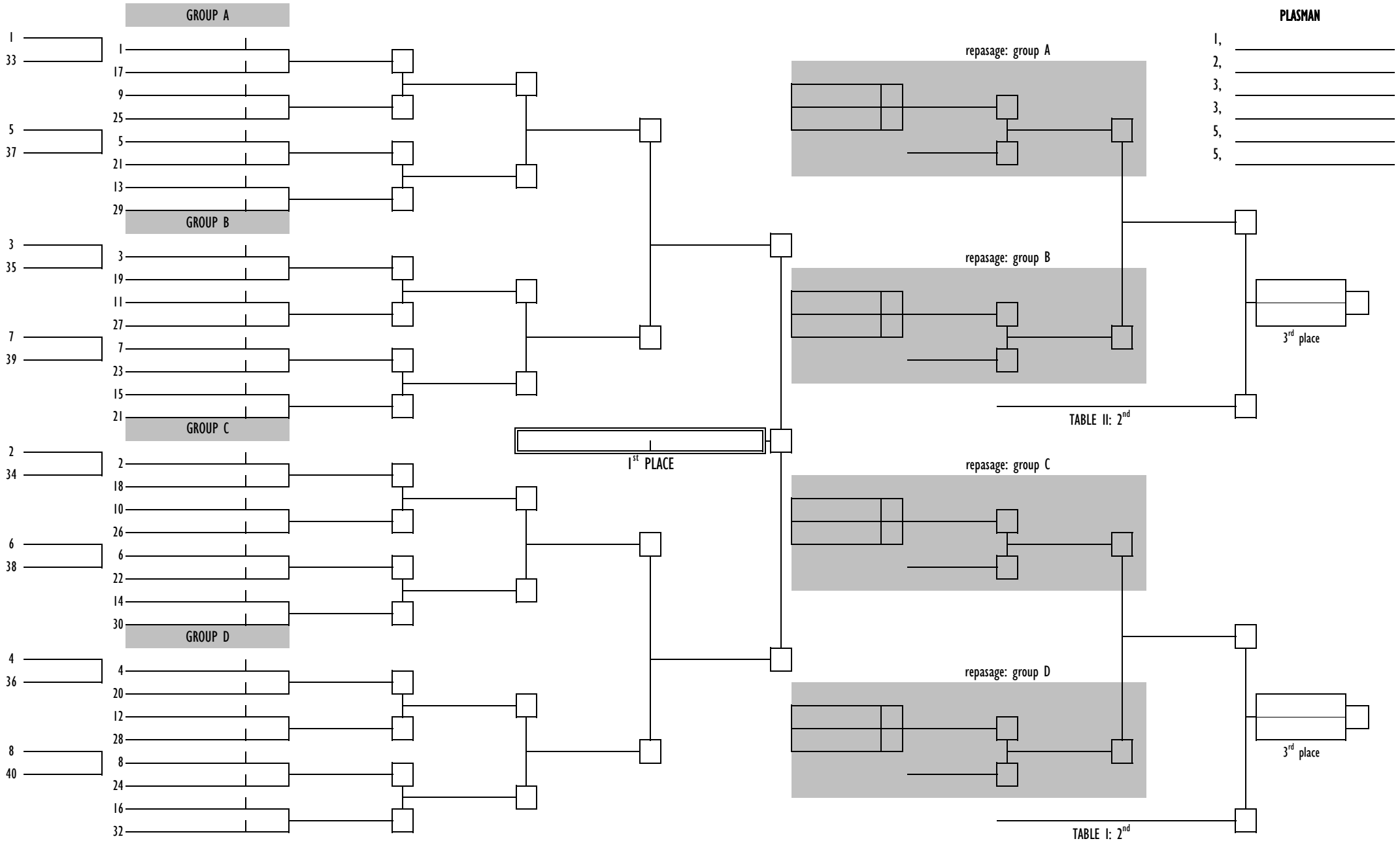
| | RESULT | POINTS |
|---|--------|--------|
| Blaž Skela (15. maj Marezige) : Denis Milanović (Split) | 0 : 10 | 0 : 2 |
| Toni Bedalov (Split) : Nikola Solomun (FTM Novi Travnik) | 10 : 0 | 2 : 0 |
| Denis Milanović (Split) : Nikola Solomun (FTM Novi Travnik) | 0 : 10 | 0 : 2 |
| Blaž Skela (15. maj Marezige) : Toni Bedalov (Split) | 0 : 10 | 0 : 2 |
| Blaž Skela (15. maj Marezige) : Nikola Solomun (FTM Novi Travnik) | 0 : 10 | 0 : 2 |
| Denis Milanović (Split) : Toni Bedalov (Split) | 0 : 10 | 0 : 2 |

| Name and surname | Team | Result | Point |
|--------------------|------------------|--------|-------|
| 1. Toni Bedalov | Split | 30 | 6 |
| 2. Nikola Solomun | FTM Novi Travnik | 20 | 4 |
| 3. Denis Milanović | Split | 10 | 2 |
| 3. Blaž Skela | 15. maj Marezige | 0 | 0 |

20th INTERNATIONAL JUDO TOURNAMENT
ADRIATIC CUP - Split 2010
SPLIT, 26th - 27th June 2010.

| | RESULT | | | POINTS | | |
|--|--------|---|----|--------|---|---|
| Mahgafić Amel (Borsa-Mostar) : Joan Jamaliev (Grabovo) | 10 | : | 0 | 2 | : | 0 |
| Jere Živković (Split) : Ivan Šoda (Split) | 10 | : | 0 | 2 | : | 0 |
| Joan Jamaliev (Grabovo) : Ivan Šoda (Split) | 0 | : | 10 | 0 | : | 2 |
| Mahgafić Amel (Borsa-Mostar) : Jere Živković (Split) | 10 | : | 0 | 2 | : | 0 |
| Mahgafić Amel (Borsa-Mostar) : Ivan Šoda (Split) | 10 | : | 0 | 2 | : | 0 |
| Joan Jamaliev (Grabovo) : Jere Živković (Split) | 0 | : | 10 | 0 | : | 2 |

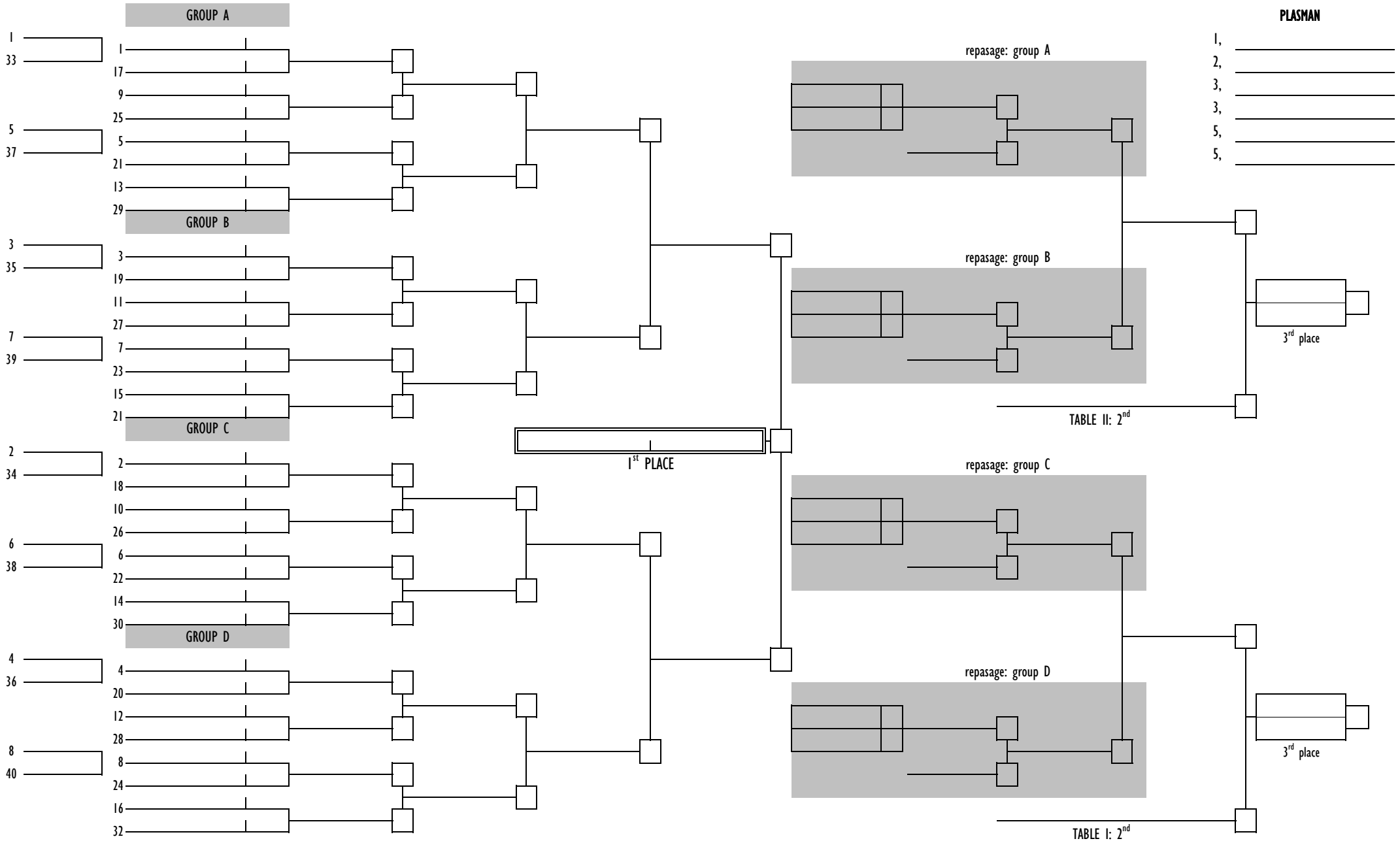
| Name and surname | Team | Result | Point |
|------------------|--------------|--------|-------|
| 1. Mahgafić Amel | Borsa-Mostar | 30 | 6 |
| 2. Jere Živković | Split | 20 | 4 |
| 3. Ivan Šoda | Split | 10 | 2 |
| 3. Joan Jamaliev | Grabovo | 0 | 0 |



20th INTERNATIONAL JUDO TOURNAMENT
ADRIATIC CUP - Split 2010
SPLIT, 26th - 27th June 2010.

| | RESULT | POINTS |
|--|--------|--------|
| Andreja Leški (15. maj Marezige) : Ivana Zeko (FTM Novi Travnik) | 10 : 0 | 2 : 0 |
| Ivana Zeko (FTM Novi Travnik) : Anja Kovačević (Pujanke) | 0 : 5 | 0 : 2 |
| Andreja Leški (15. maj Marezige) : Anja Kovačević (Pujanke) | 10 : 0 | 2 : 0 |

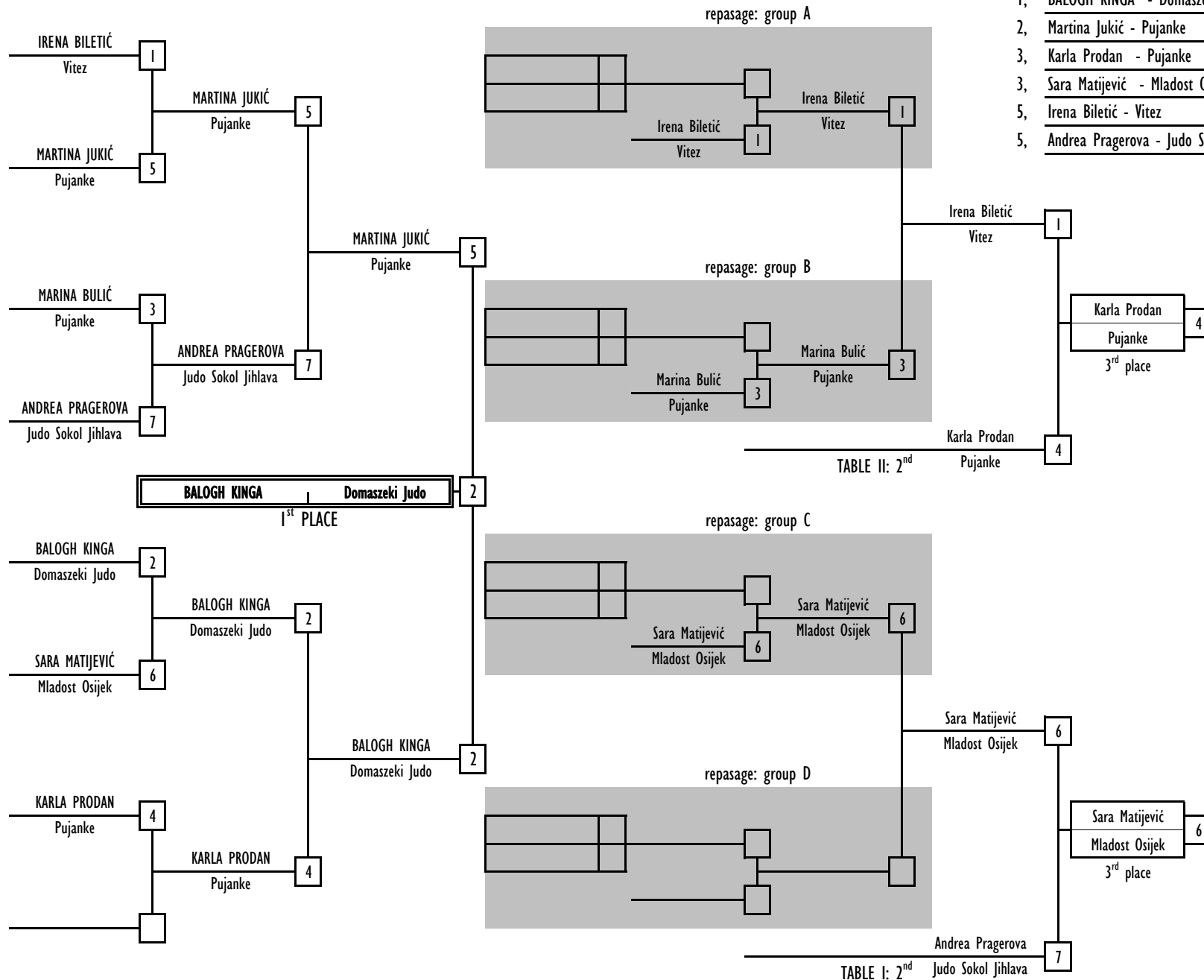
| Name and surname | Team | Result | Point |
|-------------------|------------------|--------|-------|
| 1. Andreja Leški | 15. maj Marezige | 20 | 4 |
| 2. Anja Kovačević | Pujanke | 5 | 2 |
| 3. Ivana Zeko | FTM Novi Travnik | 0 | 0 |



20th INTERNATIONAL JUDO TOURNAMENT
ADRIATIC CUP - Split 2010
SPLIT, 26th - 27th June 2010.

PLASMAN

- 1, BALOGH KINGA - Domaszeki Judo
- 2, Martina Jukić - Pujanke
- 3, Karla Prodan - Pujanke
- 3, Sara Matijević - Mladost Osijek
- 5, Irena Biletić - Vitez
- 5, Andrea Pragerova - Judo Sokol Jihlava

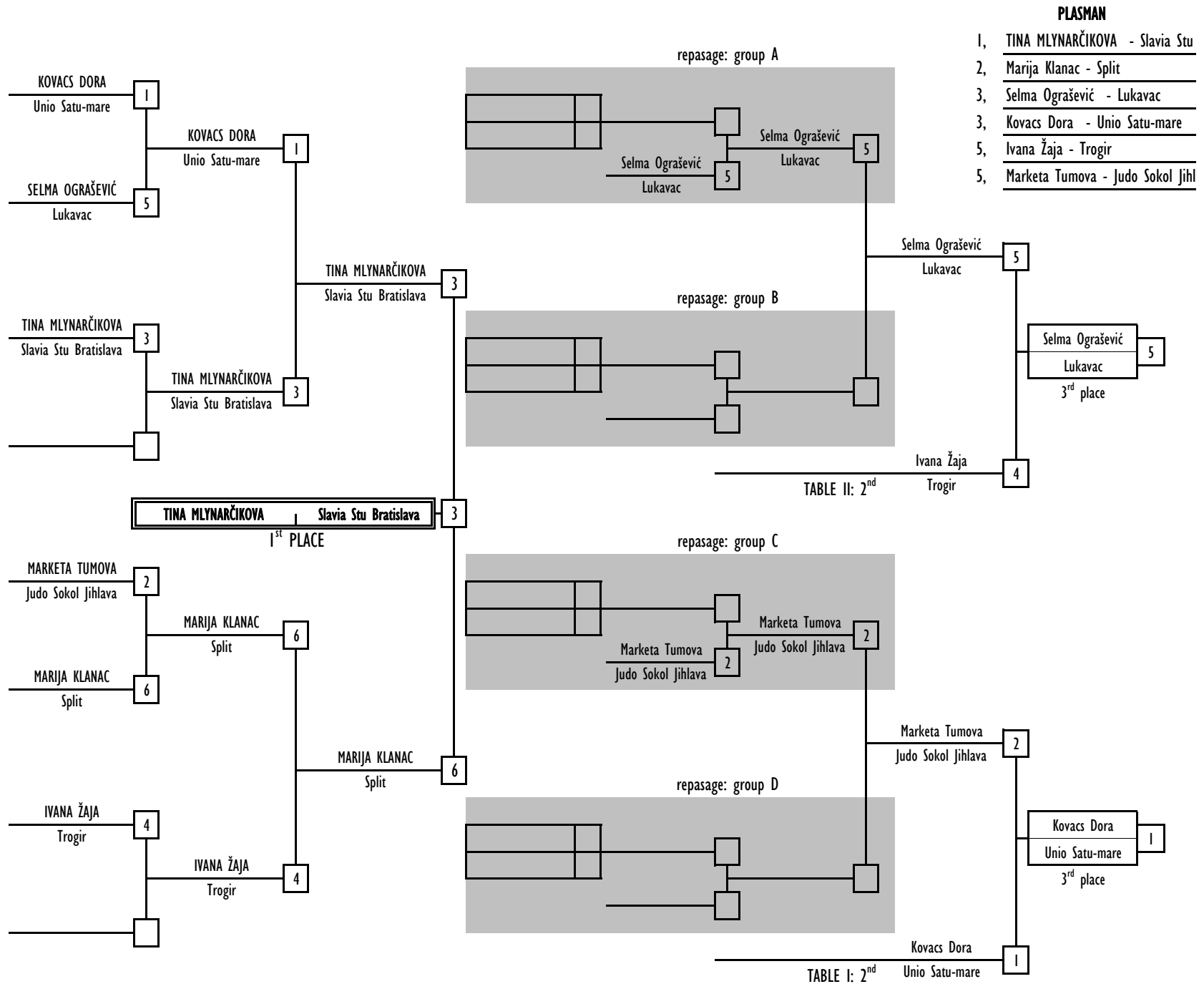


20th INTERNATIONAL JUDO TOURNAMENT
ADRIATIC CUP - Split 2010
SPLIT, 26th - 27th June 2010.

| | RESULT | | | POINTS | | |
|--|--------|---|----|--------|---|---|
| Lenka Jirku (Judo Sokol Jihlava) : Balazs Nikoletta (Domaszeki Judo) | 0 | : | 10 | 0 | : | 2 |
| Almedina Mujačić (Lukavac) : Magdalena Vuković (Student) | 10 | : | 0 | 2 | : | 0 |
| Balazs Nikoletta (Domaszeki Judo) : Magdalena Vuković (Student) | 10 | : | 0 | 2 | : | 0 |
| Lenka Jirku (Judo Sokol Jihlava) : Almedina Mujačić (Lukavac) | 10 | : | 0 | 2 | : | 0 |
| Lenka Jirku (Judo Sokol Jihlava) : Magdalena Vuković (Student) | 10 | : | 0 | 2 | : | 0 |
| Balazs Nikoletta (Domaszeki Judo) : Almedina Mujačić (Lukavac) | 10 | : | 0 | 2 | : | 0 |

| Name and surname | Team | Result | Point |
|----------------------|--------------------|--------|-------|
| 1. Balazs Nikoletta | Domaszeki Judo | 30 | 6 |
| 2. Lenka Jirku | Judo Sokol Jihlava | 20 | 4 |
| 3. Almedina Mujačić | Lukavac | 10 | 2 |
| 3. Magdalena Vuković | Student | 0 | 0 |

20th INTERNATIONAL JUDO TOURNAMENT
ADRIATIC CUP - Split 2010
SPLIT, 26th - 27th June 2010.



20th INTERNATIONAL JUDO TOURNAMENT
ADRIATIC CUP - Split 2010
SPLIT, 26th - 27th June 2010.

| | RESULT | POINTS |
|--|--------|--------|
| Nastja Stopernik (Koroška) : Tina Lučin (Trogir) | 10 : 0 | 2 : 0 |
| Andrea Ardizzone (Pujanke) : Angela Velkovska (Mioki-Skopje) | 10 : 0 | 2 : 0 |
| Tina Lučin (Trogir) : Angela Velkovska (Mioki-Skopje) | 0 : 10 | 0 : 2 |
| Nastja Stopernik (Koroška) : Andrea Ardizzone (Pujanke) | 10 : 0 | 2 : 0 |
| Nastja Stopernik (Koroška) : Angela Velkovska (Mioki-Skopje) | 10 : 0 | 2 : 0 |
| Tina Lučin (Trogir) : Andrea Ardizzone (Pujanke) | 0 : 0 | 1 : 1 |

| Name and surname | Team | Result | Point |
|---------------------|--------------|--------|-------|
| 1. Nastja Stopernik | Koroška | 30 | 6 |
| 2. Andrea Ardizzone | Pujanke | 10 | 3 |
| 3. Angela Velkovska | Mioki-Skopje | 10 | 2 |
| 3. Tina Lučin | Trogir | 0 | 1 |

ADRIATIC CUP - Split 2010

SPLIT, 26th - 27th June 2010.

| | RESULT | POINTS |
|---|--------|--------|
| Faur Mihaela (Unio Satu-mare) : Natalia Almašiova (Slavia Stu Bratislava) | 5 : 0 | 2 : 0 |
| Nagy Kitti (Domaszeki Judo) : Bruna Papić (Pujanke) | 10 : 0 | 2 : 0 |
| free : Tina Radić (Split) | | |
| Faur Mihaela (Unio Satu-mare) : Tina Radić (Split) | 0 : 10 | 0 : 2 |
| Natalia Almašiova (Slavia Stu Bratislava) : Bruna Papić (Pujanke) | 10 : 0 | 2 : 0 |
| free : Nagy Kitti (Domaszeki Judo) | | |
| Nagy Kitti (Domaszeki Judo) : Tina Radić (Split) | 10 : 0 | 2 : 0 |
| Faur Mihaela (Unio Satu-mare) : Bruna Papić (Pujanke) | 10 : 0 | 2 : 0 |
| free : Natalia Almašiova (Slavia Stu Bratislava) | | |
| Natalia Almašiova (Slavia Stu Bratislava) : Tina Radić (Split) | 0 : 10 | 0 : 2 |
| Faur Mihaela (Unio Satu-mare) : Nagy Kitti (Domaszeki Judo) | 0 : 10 | 0 : 2 |
| free : Bruna Papić (Pujanke) | | |
| Bruna Papić (Pujanke) : Tina Radić (Split) | 0 : 10 | 0 : 2 |
| Natalia Almašiova (Slavia Stu Bratislava) : Nagy Kitti (Domaszeki Judo) | 0 : 10 | 0 : 2 |
| free : Faur Mihaela (Unio Satu-mare) | | |

| Name and surname | Team | Result | Point |
|----------------------|-----------------------|--------|-------|
| 1. Nagy Kitti | Domaszeki Judo | 40 | 8 |
| 2. Tina Radić | Split | 30 | 6 |
| 3. Faur Mihaela | Unio Satu-mare | 15 | 4 |
| 3. Natalia Almašiova | Slavia Stu Bratislava | 10 | 2 |
| 5. Bruna Papić | Pujanke | 0 | 0 |